

## VALVES

SWING CHECK - 316 SS  
200 WOG/CWP

### FEATURES & APPLICATIONS:

- 200 WOG/CWP
- Body; ASTM A351-CF8
- Cap; Screwed
- Disc; ASTM A351-CF8M, Swing Type
- Female x Female NPT
- For fluid traveling only in one direction

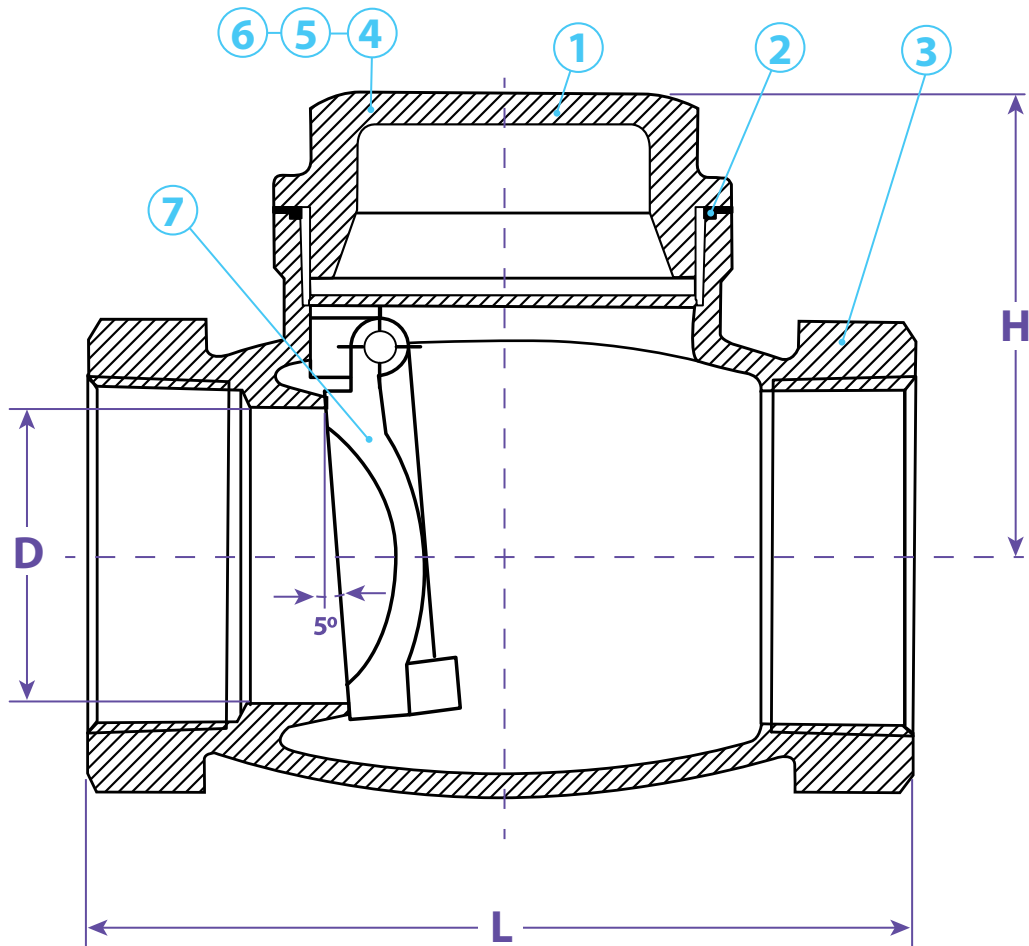
### TECHNICAL DATA:

- **WOG** = Rating indicates the maximum non-shock pressure at ambient temperatures at which the valve may be used.
- **CWP** = Cold working pressure

**WOG:** Water, Oil & Gas: This was an older, generic pressure rating call-out which has been largely replaced by CWP. In this designation, "GAS" refers to any non-flammable, compressible fluid in a gaseous state. It does not imply a product's suitability or third-party approval for use with flammable gases. Similarly, in this designation, "Oil" does not imply a product's third-party approval for use with any petroleum products.

### 316 SS

| Size   | Part #  |
|--------|---------|
| 1/2"   | SC050SS |
| 3/4"   | SC075SS |
| 1"     | SC100SS |
| 1-1/4" | SC125SS |
| 1-1/2" | SC150SS |
| 2"     | SC200SS |



| Dimensions |      |      |      |         |
|------------|------|------|------|---------|
| Size       | D    | L    | H    | Part #  |
| 1/2"       | .59  | 2.56 | 1.69 | SC050SS |
| 3/4"       | .79  | 3.15 | 2.09 | SC075SS |
| 1"         | .98  | 3.54 | 2.36 | SC100SS |
| 1-1/4"     | 1.26 | 4.13 | 2.36 | SC125SS |
| 1-1/2"     | 1.57 | 4.72 | 2.95 | SC150SS |
| 2"         | 1.97 | 5.51 | 3.11 | SC200SS |

| Nomenclature & Material |             |          |
|-------------------------|-------------|----------|
| No.                     | Description | Material |
| 1                       | Bonnet      | CF8-CF8M |
| 2                       | Gasket      | PTFE     |
| 3                       | Body        | CF8-CF8M |
| 4                       | Hanger Pin  | 304 SS   |
| 5                       | Plug Gasket | PTFE     |
| 6                       | Plug        | 304 SS   |
| 7                       | Disc        | CF8-CF8M |

TITLE **SWING CHECK VALVE**

**DISCLAIMER**

All drawings and specifications are subject to change without notice. Drawings represent general dimensions of our products. Seal Fast Inc. cannot guarantee the dimensions will exactly match those in the drawing. The drawing is the property of Seal Fast Inc. Copying or reproduction of this drawing is expressly prohibited.

MATERIAL

316 SS

**DRAWING NOT TO SCALE**

PART #

SC...SS